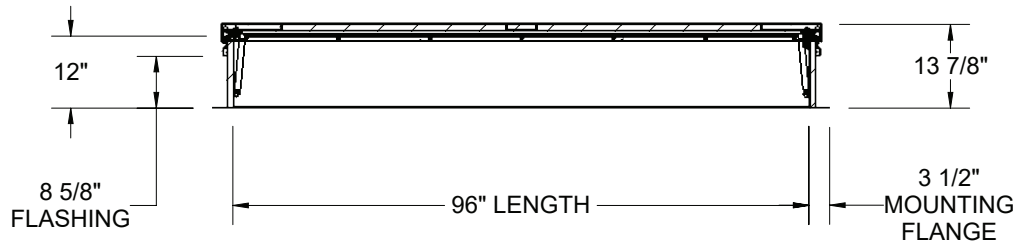
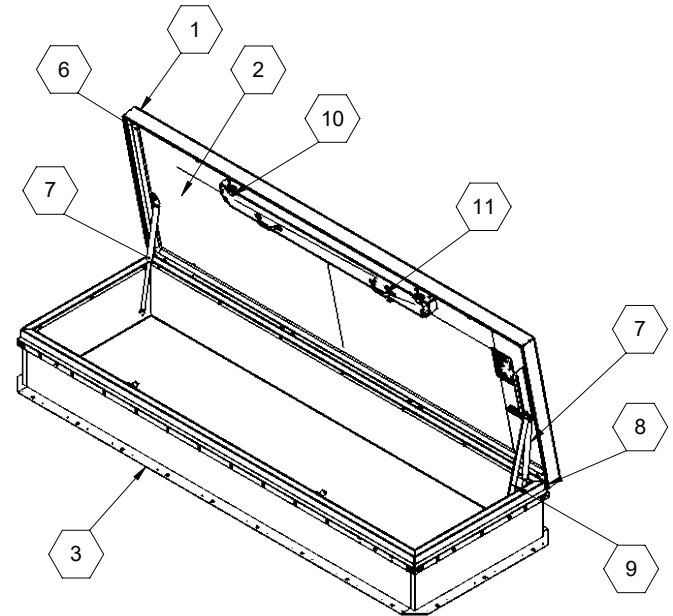


SECTION A-A



SECTION B-B



MIAMI DADE ACCEPTANCE NO: 21-1201.02
 EXPIRATION DATE: 5/25/2027

TEST CERTIFICATIONS:
 TAS201-94 IMPACT TEST - CLASS IV
 TAS202-94 UNIFORM STATIC AIR PRESSURE
 TAS203-94 CYCLE WIND PRESSURE LOAD

SPECIFICATIONS:

- ① **COVER:**
11 GA (.090) ALUM, STIFFENED TO WITHSTAND A LIVE LOAD OF 40PSF WITH A MAX DEFLECTION OF 1/150 OF THE SPAN.
- ② **LINER:** 18 GA (.040) ALUM
- ③ **CURB:** 11 GA (.090) ALUM, CURB COUNTERFLASH WITH EZ TABS.
- ④ **FINISH:** MILL
- ⑤ **INSULATION:** 1" POLYISO R-6 (5.6 LTTR) IN CURB, 1" POLYSTYRENE R-4 (3.8 LTTR) IN COVER.
- ⑥ **GASKET:**
EXTRUDED EPDM RUBBER ADHESIVE BACKED GASKET SEAL CONTINUOUS AROUND COVER.
- ⑦ **SPRING:**
GAS SPRING WITH DAMPER FOR SMOOTH, CONTROLLED, COUNTERBALANCED LIFT ASSISTANCE.
- ⑧ **HINGE:** PINTLE HINGE WITH STAINLESS STEEL HINGE PINS.
- ⑨ **HOLD OPEN ARM:**
ZINC PLATED STEEL AUTOMATIC HOLD OPEN ARM LOCKS COVER IN FULLY OPEN POSITION WITH RED GRIP HANDLE PULL RELEASE.

⑩ **LATCH:**

ZINC PLATED STEEL SLAM LATCH, HOLDS COVERS CLOSED AGAINST WIND UPLIFT, INTERIOR AND EXTERIOR HANDLES WITH PADLOCK HASPS.

⑪ **PULL HANDLE:** INTERIOR PULL DOWN HANDLE

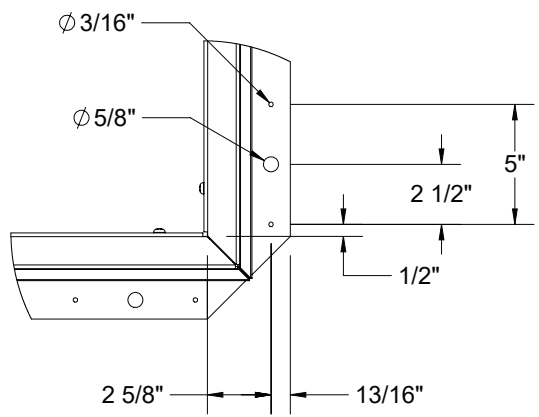
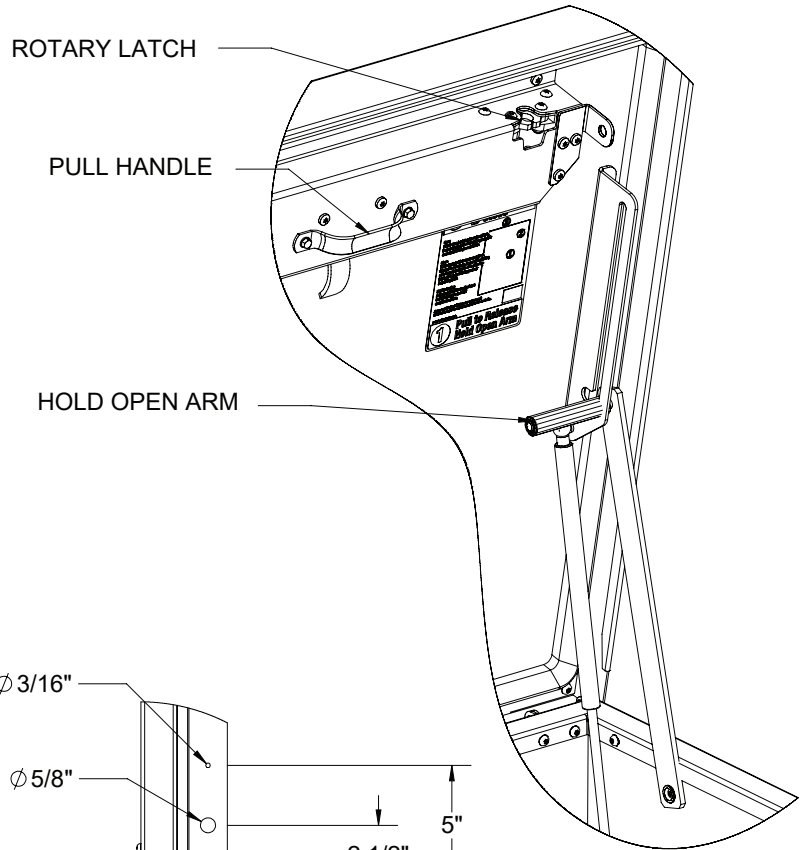
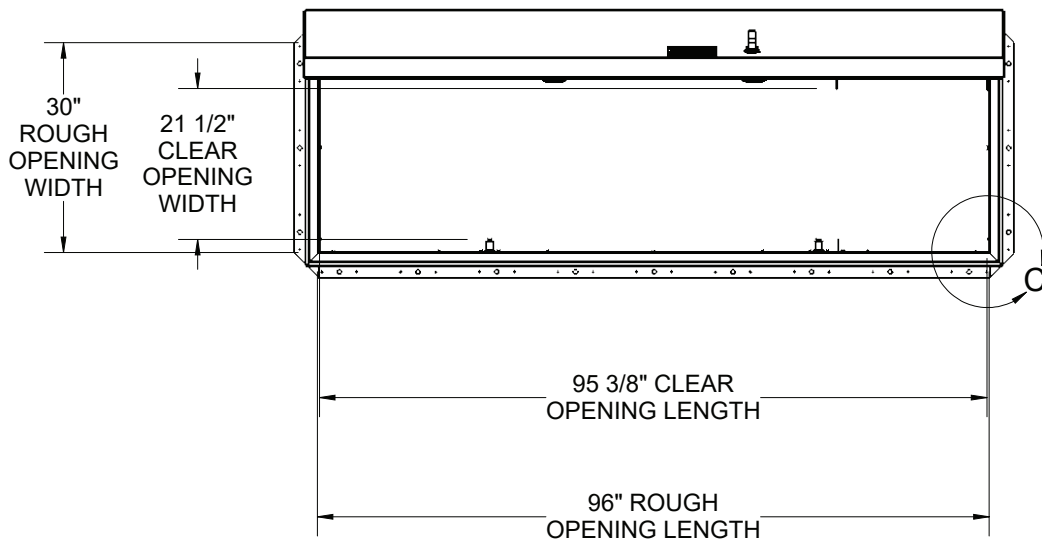
NOTES:

- WHEN INSTALLING ON A PITCHED ROOF UP TO 7:12, THE HINGE SIDE(LENGTH)MUST BE PARALLEL TO THE SLOPE.
- WIDTH X LENGTH DIMENSIONS ARE MEASURED INSIDE CURB TO INSIDE CURB. THE WIDTH IS HINGE TO LATCH AND LENGTH IS HINGED SIDE.

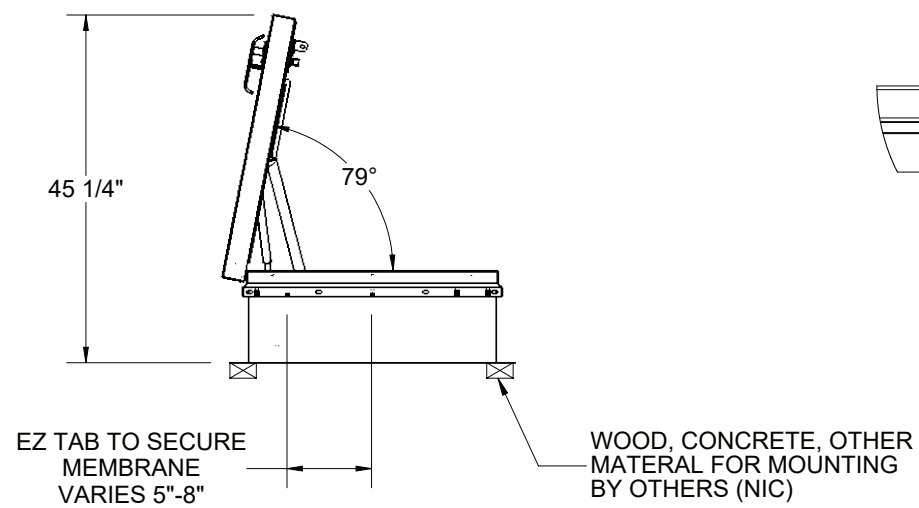
ROOF HATCH SIZE: 30" (WIDTH) x 96" (LENGTH)

PROPRIETARY AND CONFIDENTIAL: THE INFORMATION CONTAINED IN THIS DRAWING IS THE SOLE PROPERTY OF TRI-BUILT®. ANY REPRODUCTION IN PART OR AS A WHOLE WITHOUT THE WRITTEN PERMISSION OF TRI-BUILT® IS PROHIBITED.

PROJECT:			
ARCHITECT:			
CONTRACTOR:			
QTY:			
PART#:		TBA3096	
		TITLE:	
		BRHUA30X96S1T Roof Hatch, Personnel, 30x96, S Dr, Zinc Hdw, Alum, Mill, Sngl Wall Curb	
NAME	DATE	SIZE	DWG. NO.
RAK	4/18/23	A	TRI-BUILT RH TBA3096 ShpDr
RELEASED			WEIGHT: 171 LBS
			SHEET 1 OF 2



DETAIL C
SCALE 1 : 8



		TITLE: BRHUA30X96S1T Roof Hatch, Personnel, 30x96, S Dr, Zinc Hdw, Alum, Mill, Sngl Wall Curb			
		NAME DRAWN: RAK RELEASED:	DATE 4/18/23	SIZE A	DWG. NO. TRI-BUILT RH TBA3096 ShpDr
WEIGHT: 171 LBS			SHEET 2 OF 2		

PROPRIETARY AND CONFIDENTIAL: THE INFORMATION CONTAINED IN THIS DRAWING IS THE SOLE PROPERTY OF TRI-BUILT®. ANY REPRODUCTION IN PART OR AS A WHOLE WITHOUT THE WRITTEN PERMISSION OF TRI-BUILT® IS PROHIBITED.